

DC 514C

Analogue DC Drives

4 QUADRANT - 4 to 32 AMPS



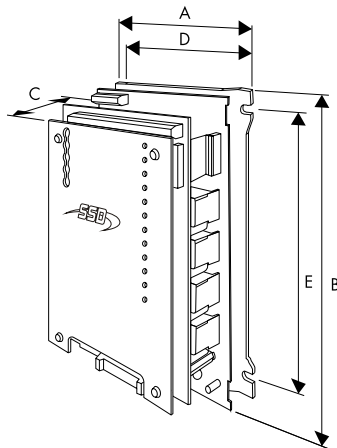
CONVERTING ■ TEXTILES ■ PAPER ■ METALS ■ PLASTICS
WIRE ■ TEST RIGS ■ CONVEYORS ■ RUBBER ■ PRINTING

514C FOUR QUADRANT to 9kW

- FOUR QUADRANT REGENERATIVE CONTROL
- 110-500V AC SUPPLY SELECTION
- CE MARKED AND EMC COMPLIANT
- AC POWER CONTACTOR LOGIC AND SUPPLY
- MANY SYSTEM FEATURES
- EXTREMELY LINEAR CONTROL LOOPS



The regenerative 514C dc thyristor drive offers full four quadrant control of dc motors from single phase supplies. As such it is ideal for applications involving overhauling loads or where rapid and accurate deceleration is required. Together with the non-regenerative 512C they offer the perfect solution for lower power single motor and multi-drive applications.



TECHNICAL SPECIFICATION

Power Supply – 110-500V $\pm 10\%$ user selectable.
 Auxiliary supply: 110/120V or 220/240V $\pm 10\%$ user selectable.
 Single phase 50-60Hz $\pm 10\%$
Ambient – 0-40°C, up to 1000m ASL without derating
Overload – 150% for 60 seconds

FEATURES

User Facilities

Four quadrant regenerative control
 Separate ac auxiliary supply
 ac supply contactor logic
 Torque or speed control
 5570 diagnostic compatible
 Three setpoint inputs
 Torque limit input
 Health output
 Buffered current output (10V, 10mA)
 Buffered speed output (10V, 10mA)
 Buffered ramp output (10V, 10mA)
 Buffered total setpoint output (10V, 10mA)
 Zero speed/zero setpoint output
 +10V and -10V analogue reference supplies
 +24V digital reference supply

Potentiometer Adjustments

Maximum speed	Acceleration ramp (1-80s)
Minimum speed	Deceleration ramp (1-80s)
Current limit	Speed stability
IR compensation	Speed loop gain - integral
Zero speed offset	Current gain - proportional
Zero speed threshold	Current gain - integral
	Speed loop gain - proportional

Standards

EN61800-3 (EMC compliance) with external filter
 EN50178 (safety, low voltage directive)



Nominal Supply Voltage Vac	Armature Voltage Vdc	Field Voltage Vdc
110	90	100
240	180	210
415-500	320	360

Type	Armature Current
514C/04	4
514C/08	8
514C/16	16
514C/32	32

OPTIONS

Product	Type	Description
LA057605U012	512C/04	Single Phase Fuse Kit
LA057605U016	512C/08	Single Phase Fuse Kit
LA057605U032	512C/16	Single Phase Fuse Kit
LA057605U050	512C/32	Single Phase Fuse Kit
LA050063		Potentiometer Kit

DIMENSIONS

MODEL	OVERALL DIMENSIONS					WEIGHT (kg)
	A	B	C	D	E	
514C/04	160	240	90	148	210	1.6
514C/08	160	240	90	148	210	1.6
514C/16	160	240	130	148	210	3.0
514C/32	160	240	130	148	210	3.0

All Dimensions are in millimeters.

EUROTHERM PTY. LTD.

Sydney: Ph: (02) 9838 0099 Fax: (02) 9838 9288
 Melbourne: Ph: (03) 9589 9220 Fax: (03) 9548 8930
 ssddrives@eurotherm.com.au

<http://www.eurotherm.com.au>

Distributed by:



Tel: 03 9764 1961 Fax: 03 9764 1199
 alan@dps.com.au <http://www.dps.com.au>



formerly
EUROTHERM DRIVES