

DC 512C

Analogue DC Drives

2 QUADRANT - 4 to 32 AMPS



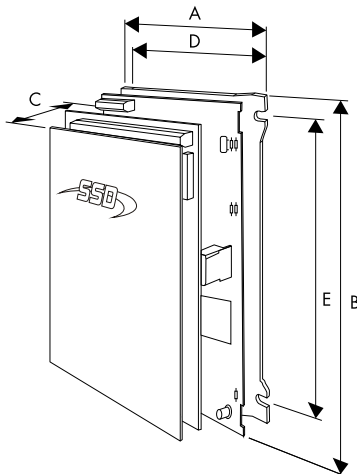
CONVERTING ■ TEXTILES ■ PAPER ■ METALS ■ PLASTICS
WIRE ■ TEST RIGS ■ CONVEYORS ■ RUBBER ■ PRINTING

512C TWO QUADRANT to 9kW

- FULLY ISOLATED CONTROL CIRCUITS
- 110V – 415V AC SUPPLY SELECTION
- CE MARKED AND EMC COMPLIANT
- MULTI INPUT SPEED AND CURRENT SETPOINTS
- ZERO SPEED AND HEALTH OUTPUT
- EXTREMELY LINEAR CONTROL LOOPS



Isolated control circuitry, a host of user facilities and extremely linear control loop make the 512C ideal for single motor or multi drive low power applications. Designed for use on single phase supplies, the 512C is suitable for controlling permanent magnet or wound field dc motors in speed or torque control.



TECHNICAL SPECIFICATION

Power Supply – 110-115V, 220-240V or 380-415V $\pm 10\%$ user selectable, single phase 50-60Hz $\pm 5\%$
Ambient – 0-40°C, up to 1000m ASL without derating
Overload – 150% for 60 seconds

FEATURES

User Facilities

Link selection of ac supply voltage
 Torque or speed control
 3A dc field output
 Power on overcurrent and stall detect LEDs
 MOV transient suppression
 Buffered speed output (10V, 10mA)
 Buffered current output (7.5V, 10mA)
 Buffered ramp output (master/slave)
 10V dc reference supply (10mA)
 Total setpoint off
 Health output
 Zero speed/zero setpoint output

Potentiometer Adjustments

Maximum speed
 Minimum speed
 Current limit
 Speed stability
 Acceleration ramp (1-80 seconds)
 Deceleration ramp (1-80 seconds)
 IR compensation

Standards

EN61800-3 (EMC compliance) with external filter
 EN50178 (safety, low voltage directive)



Nominal Supply Voltage Vac	Armature Voltage Vdc	Field Voltage Vdc
110	90	100
240	180	210
415	320	360

Type	Armature Current
512C/040	4
512C/080	8
512C/160	16
512C/320	32

OPTIONS

Product	Type	Description
LA057605U012	512C/040	Single Phase Fuse Kit
LA057605U016	512C/080	Single Phase Fuse Kit
LA057605U032	512C/160	Single Phase Fuse Kit
LA057605U050	512C/320	Single Phase Fuse Kit
LA050063		Potentiometer Kit

DIMENSIONS

MODEL	OVERALL DIMENSIONS					WEIGHT (kg)
	A	B	C	D	E	
512C/040	160	240	85	148	210	1.5
512C/080	160	240	85	148	210	1.6
512C/160	160	240	85	148	210	1.6
512C/320	160	240	123	148	210	2.9

All Dimensions are in millimeters.

EUROTHERM PTY. LTD.

Sydney: Ph: (02) 9838 0099 Fax: (02) 9838 9288
 Melbourne: Ph: (03) 9589 9220 Fax: (03) 9548 8930
 ssddrives@eurotherm.com.au



formerly
EUROTHERM DRIVES

<http://www.eurotherm.com.au>

Distributed by:



Tel: 03 9764 1961
 alan@dps.com.au

Fax: 03 9764 1199
<http://www.dps.com.au>