

DC 506/507/508 Analogue DC Drives

DC DRIVES 3, 6 or 12 AMPS



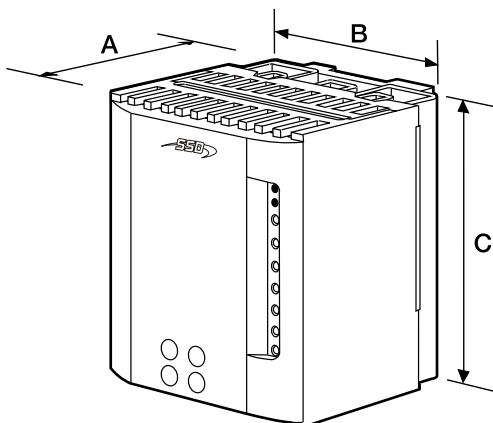
CONVERTING ■ TEXTILES ■ PAPER ■ METALS ■ PLASTICS
WIRE ■ TEST RIGS ■ CONVEYORS ■ RUBBER ■ PRINTING

506 / 507 / 508 Up to 2kW

- LOW COST/HIGH FEATURE DESIGN
- COMPACT MINIMAL FOOTPRINT CONSTRUCTION
- IP20 PROTECTED COVERS
- DIN RAIL MOUNTING
- SWITCH SELECTABLE 110V OR 230V SUPPLY
- SWITCH SELECTABLE TACHO OR ARMATURE VOLTAGE FEEDBACK



The 506, 507 and 508 series drives break new ground in value for money dc motor control. Available in 3, 6 or 12A armature ratings, the feature packed minimum footprint design is ideal for speed or torque control of permanent magnet or shunt wound dc motors from single phase supplies.



TECHNICAL SPECIFICATION

Power Supply – 110-120V, or 220-240V $\pm 10\%$ single phase 50-60Hz $\pm 5\%$

Ambient – 0-45°C, up to 1000m ASL without derating

FEATURES

User Facilities

IP20 Protected covers
DIN rail mounting
Torque and speed control
2A dc field output
Internal 15 second stall detect
Internal electronic overcurrent protection
Zero speed and drive healthy signal
Main and trim setpoint input
Independent acceleration and deceleration ramps
LED diagnostics

Potentiometer Adjustments

Maximum speed
Minimum speed
Current limit
Speed stability
Acceleration ramp (1-15 seconds)
Deceleration ramp (1-15 seconds)
IR compensation

Switch Selectable Features

Supply voltage 110/120V or 220/240V
Tachogenerator/armature voltage feedback
Speed calibration
Current calibration

Standards

EN61800-3 (EMC compliance) with external filter
EN50178 (safety, low voltage directive)



Model	Armature Current Adc	Nominal Supply Voltage Vdc	Armature Voltage Vdc	Field Voltage Vdc
506	0-3A	110-120	90	100
506	0-3A	220-240	180	210
507	0-6A	110-120	90	100
507	0-6A	220-240	180	210
508	0-12A	110-120	90	100
508	0-12A	220-240	180	210

OPTIONS

LA054664	506 Fuse Kit
LA054664	507 Fuse Kit
LA050062	508 Fuse Kit
LA050063	Potentiometer Kit

DIMENSIONS

MODEL	OVERALL DIMENSIONS			WEIGHT (kg)
	A	B	C	
506 (0-3A)	80	105	140	0.59
507 (0-6A)	80	105	140	0.59
508 (0-12A)	90	105	140	0.70

All Dimensions are in millimeters.

EUROTHERM PTY. LTD.

Sydney: Ph: (02) 9838 0099 Fax: (02) 9838 9288
Melbourne: Ph: (03) 9589 9220 Fax: (03) 9548 8930
ssddrives@eurotherm.com.au

<http://www.eurotherm.com.au>

Distributed by:



Tel: 03 9764 1961
alan@dps.com.au

Fax: 03 9764 1199
<http://www.dps.com.au>



formerly
EUROTHERM DRIVES